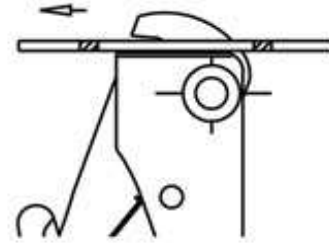


## Data sheet – Manual Depaneling Tool – DP Series



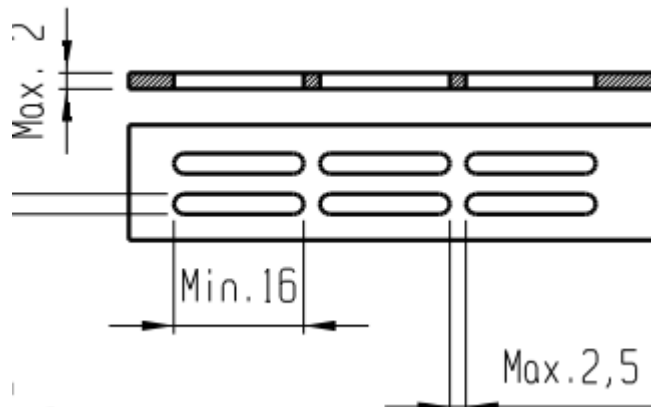
技术咨询与报价

电话: 18823303057 QQ:2104028976



### Product Description:

Manual depaneling tool to separate larger sheets of multiple PCB panels in a quick, economic and safe way, leaving well finished cut surfaces;  
Maximum length of the isthmus (tab) must not exceed 2.5 mm.  
Total length of the tool 147mm  
Max pcb thickness: 2mm  
Max isthmus length: 2,5mm  
Minimum slot length: 16mm



### Available models:

**DP-15-N** with 1,5mm blade thickness & Cutting Force 3 Kg.  
**DP-18-N** with 1,8mm blade thickness & Cutting Force 3 Kg.  
**DP-20-N** with 2,0mm blade thickness & Cutting Force 3 Kg.  
**DP-23-N** with 2,3mm blade thickness & Cutting Force 7 Kg.  
**DP-24-N** with 2,4mm blade thickness & Cutting Force 7 Kg.  
**DP-25-N** with 2,5mm blade thickness & Cutting Force 7 Kg.



**ERGONOMIC** Handles – for max gripping to the hand and for giving the best comfort to the operator. Standard in orange/black colour.

Model available with the following version:

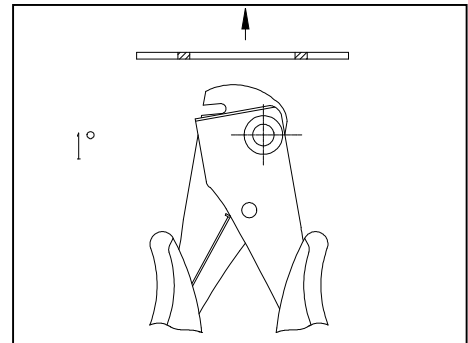
**with DISSIPATIVE/ANTISTATIC handles** - allows to discharge electrostatic charge without damage to the wire or component. Standard color grey/black. Part No. **DP-15-ND, DP-18-ND, DP-20-ND, DP-23-ND, DP-24-ND & DP-25-ND.**

**On Request:** customized tools are produced!!

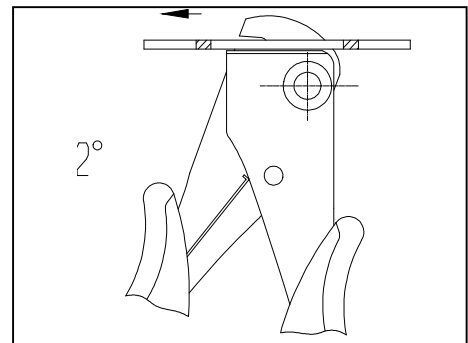
## Notes on the use

The use of the Manual Depaneling Tool is very easy and requires no special technical experience. The sequence below shows how to use it correctly.

**1.** Insert the tool into the slot.



**2.** Run the blade along the slot in the direction shown by the arrow, until reaching the first isthmus that needs to be removed.



**3.** While holding the board against the blades, press the handles of the tool, as shown in the diagram.

The necessary force to be exerted on the handles of the tool has been calculated to be from 3 until 7kg (depends on model).

